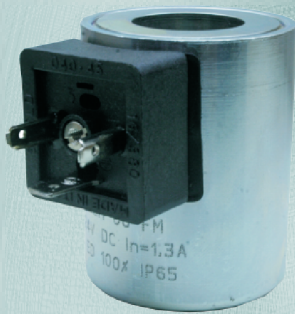




# Caproni



**ACCESSORIES**

COILS

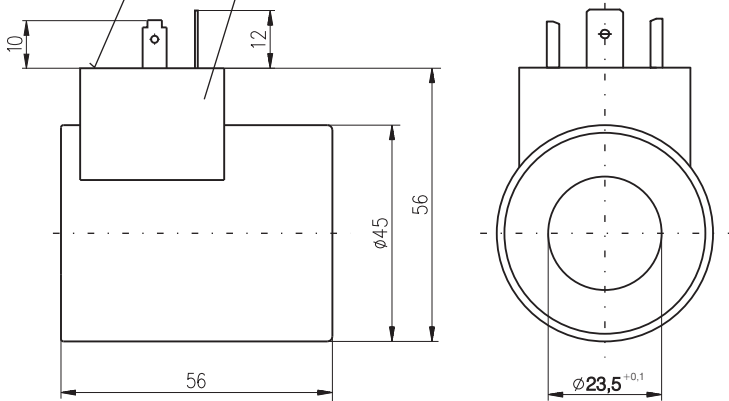
ELM-...-F-...

All dimensions are shown in mm.

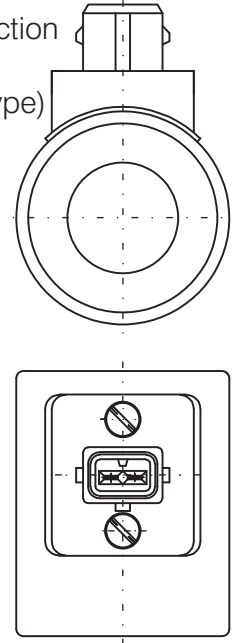
ELM-06-F-...

This type of coils are used for Directional control valves CETOP3 and some of the solenoid valves.

connector surface-type of connection DIN43 650  
the rectifier is build-in here at AC type



type of connection AMP Junior (only for DC type)

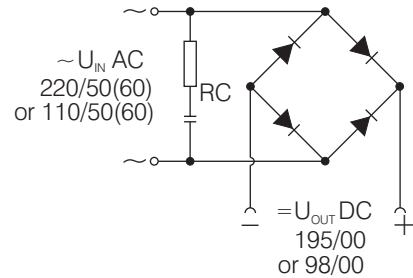


AC and DC coils have one and the same dimensions , connections and characteristics for all of type ELM-06-F-... , and one and the same for all of the type ELM-10-F-....

The difference between AC and DC coils is in the integrated rectifier into the AC type. The coils can be used for 50Hz and 60Hz.

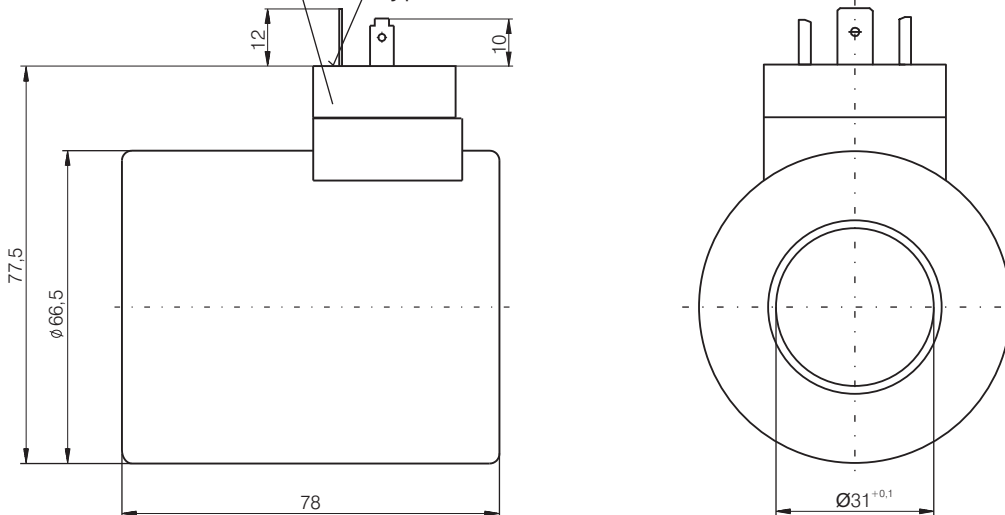
The supply voltages are as follows: 12V DC , 24V DC , 48V DC , 110V AC/50(60)Hz and 220V AC/50(60)Hz.

RC filter is integrated into the connector(see electric scheme) and is used only with AC solenoids.



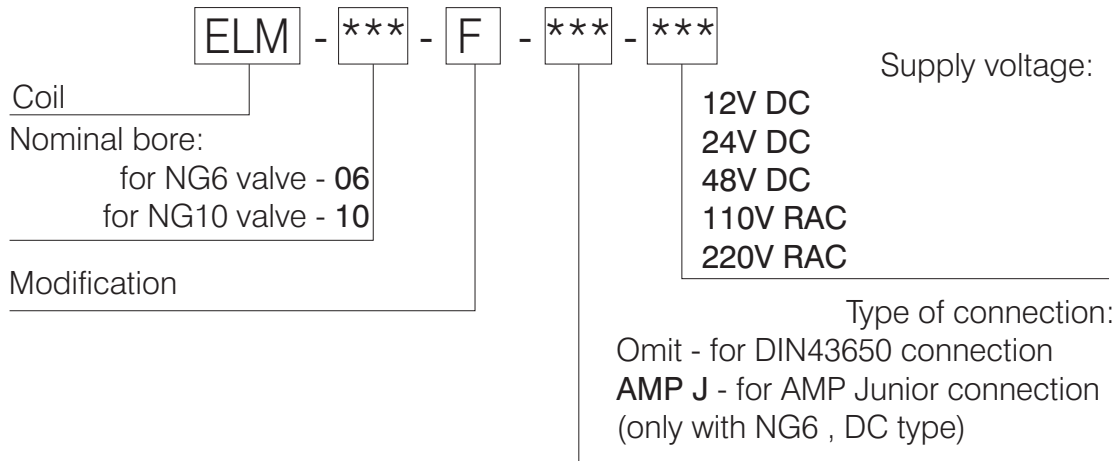
ELM-10-F-...

the rectifier is build-in here  
connector surface-type of connection DIN43 650



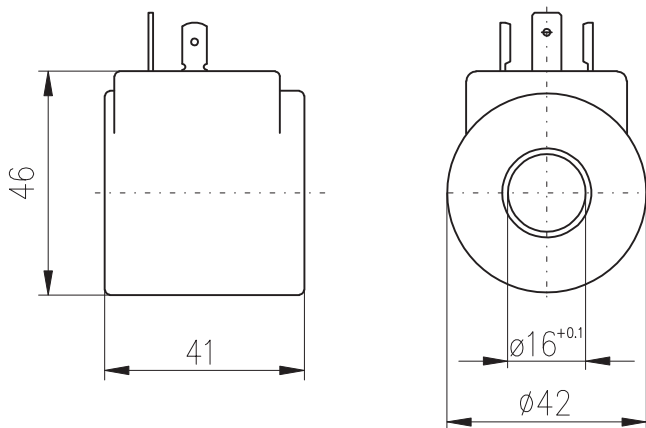
This type of coils are used for Directional control valves CETOP5.

ORDERING CODE FOR CETOP TYPE VALVES CIOLS



EMA...-...

EMA 100-...



This type of coils are used for Cartridge solenoid valves.

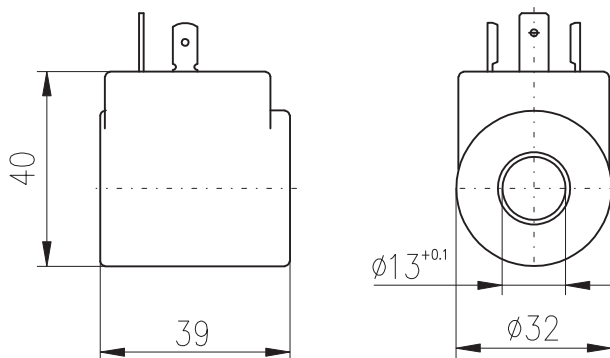
Type of protection according to EN 60529 with mounted and fixed by screw connector.

Duty cycle ED 100%

Power consumption:

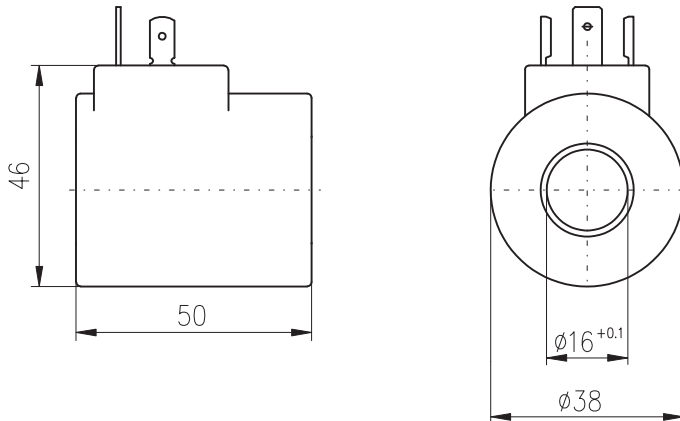
- EMA 100 - 18 , 20 or 26 W
- EMA 50 - 12 , 14 or 19 W
- EMA 120 - 26 W

EMA 50-...



Warning: When solenoid valve should be fitted in a circuit fed by AC power a rectifier and a RAC coil must be used.

**EMA 120-...**



**ORDERING CODE FOR CARTRIDGE TYPE VALVES CIOLS**

	<b>EMA</b>	<b>***</b>	-	<b>***</b>	-	<b>***</b>
Coil						Power:
Nominal bore:		50				12W - for EMA 50
		100				14W - for EMA 50
		120				18W - for EMA 100
Supply voltage:	12V DC					19W - for EMA 50
	24V DC					20W - for EMA 100
	110V RAC					26W - for EMA 120 & EMA100
	220V RAC					

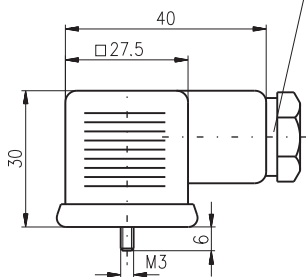
**ORDERING CODE FOR CONNECTORS**

**CONNECTORS**

**CODE/TYPE**

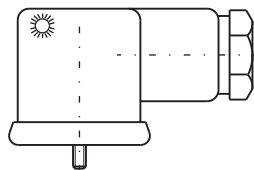
**C2 / for DC type**

Pg 11



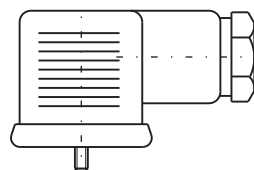
With standard connector  
- DIN 43 650

**C3 / for DC type**



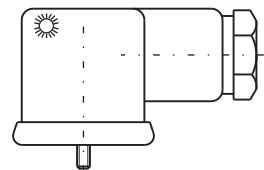
Connector with light  
indicator (transparent)

**C4 / for AC type**

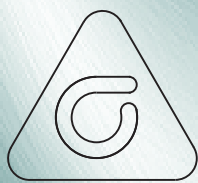


Connector with  
integrated "RC" filter

**C5 / for AC type**



Connector with light  
indicator and "RC"  
filter (transparent)



**caproni**  
BULGARIA JOINT-STOCK COMPANY

**BULGARIA , 6100 KAZANLAK , 45 STOLETOV STR.  
TEL.:+359/431/62 229 , +359/431/6132 ,  
FAX:+359/431/62 230 , +359/431/63 134  
E-MAIL:CAPRONI@CAPRONI.BG , WEB:HTTP://WWW.CAPRONI.BG**